

THE INFORMATION CONTAINED IN THIS DRAWING IS THE SOLE PROPERTY OF VERSATUBE BUILDING SYSTEMS. ANY REPRODUCTION IN PART OR WHOLE WITHOUT THE WRITTEN PERMISSION OF VERSATUBE BUILDING SYSTEMS IS PROHIBITED.

REQUIRED FOUNDATION/SLAB SIZE FOR VERTICALLY SHEETED LOAFING SHEDS WITH FLUSH MOUNT SIDE WALL PURLINS

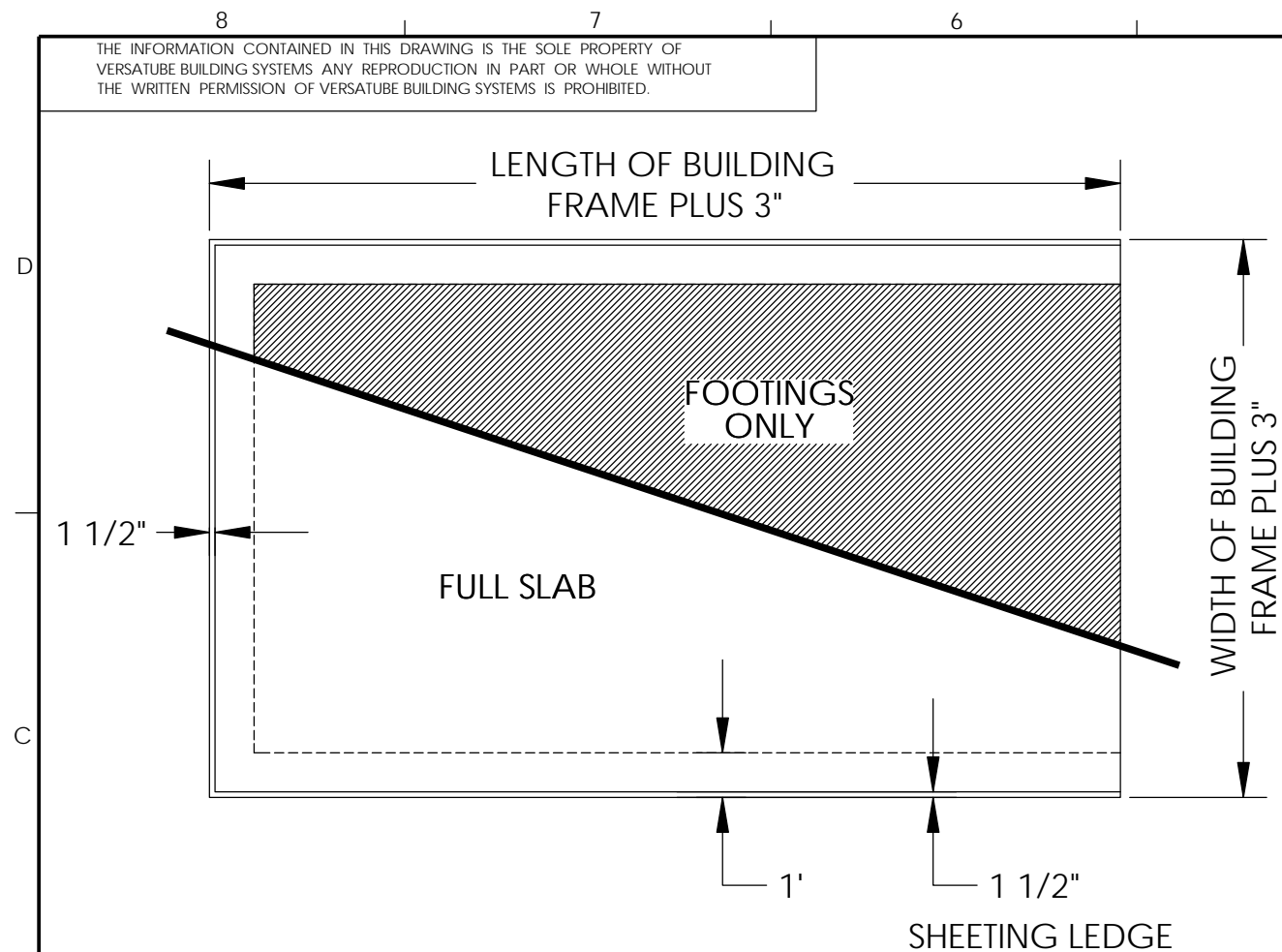
NOTE: ALL VERSATUBE LOAFING SHEDS ARE 2" LONGER.

DIMENSIONS ARE OUTSIDE TO OUTSIDE OF SLAB. THE SLAB OUT TO OUT DIMENSIONS MUST BE 3" WIDER AND 3" LONGER THAN THE BUILDING SIZE.

**EXAMPLE:
20'W X 40'-2"L X 10'H BUILDING WOULD HAVE A SLAB DIMENSION OF 20'-3"W X 40'-5"L.**

FOR FURTHER QUESTIONS OR CONCERNS ABOUT BUILDING OR SLAB LENGTH, CONTACT A PRODUCT & DESIGN ENGINEER AT VERSATUBE TOLL FREE AT 1-800-900-7222.

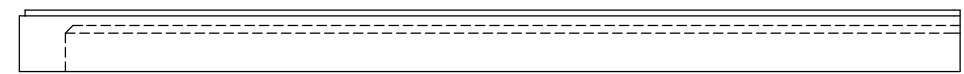
FRAME WxL	CONCRETE WxL (OUTSIDE DIM.)
12'-0" X 12'-2"	12'-3" X 12'-5"
24'-0" X 12'-2"	24'-3" X 12'-5"
30'-0" X 12'-2"	30'-3" X 12'-5"



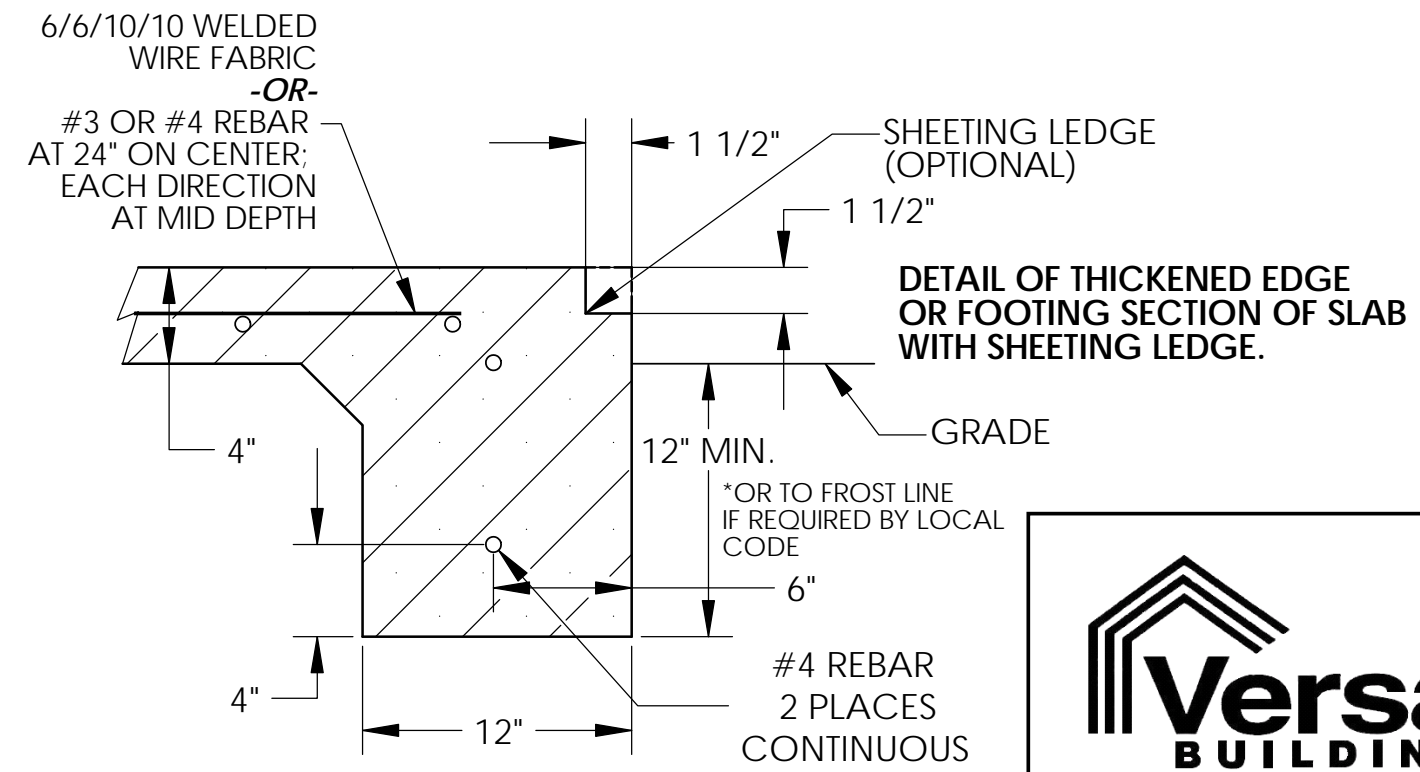
GENERAL FOUNDATION NOTES:

1. MAXIMUM ALLOWABLE SOIL BEARING PRESSURE IS 1500PSF IN ACCORDANCE WITH APPLICABLE CODE. OWNER TO VERIFY THAT SOIL IS STABLE AND COMPACTED TO A MINIMUM OF 95% RELATIVE OPTIMUM VALUE.
2. MAXIMUM SIZE CONCRETE AGGREGATE SHALL BE 1" DIA.
3. MINIMUM COMPRESSIVE STRENGTH OF CONCRETE AT 28 DAYS SHALL BE 2500 PSI.
4. PLACE REINFORCEMENT AT MID DEPTH FOR SLABS ON GRADE.
5. ALL SPLICES IN CONTINUOUS REINFORCEMENT OR REINFORCING SHALL HAVE A MINIMUM LAP OF 40 DIAMETERS. SPLICES IN ADJACENT BARS SHALL NOT BE LESS THAN 4'-0" APART. VERTICAL WALL BARS SHALL BE SPLICED AT OR NEAR FLOOR LINES. BARS MAY BE WIRED TOGETHER AT SPLICES OR LAPS EXCEPT FOR TOP REINF. OF BEAM AND SLABS, OR WHERE SPECIFICALLY DETAILED TO BE SEPARATED.
6. CONCRETE SHALL BE PLACED IN ACCORDANCE WITH THE LATEST ACI SPECIFICATIONS.

THIS IS STRICTLY A SUGGESTED FOUNDATION DESIGN. OTHER ENGINEERED DESIGNS MAY BE SUBSTITUTED OR DICTATED BY YOUR MUNICIPALITY OR INSPECTOR.



TYPICAL SECTION VIEW



UNLESS OTHERWISE SPECIFIED DIMENSIONS ARE IN INCHES TOLERANCES ARE: FRACTIONS DECIMALS ANGLES + .XX+ .XX + 1 - - .XXX+.XXX -		CAD GENERATED DRAWING, DO NOT MANUALLY UPDATE		VERSATUBE BUILDING SYSTEMS	
MATERIAL 2,500 PSI CONCRETE		APPROVALS DRAWN STRICKER	DATE 6/4/15	MONOSLAB FOUNDATION FOR LOAFING SHED CARPORTS	
FINISH		CHECKED	RESP ENG	LOAFING SHED FOUNDATION WITH SIZES	
DO NOT SCALE DRAWING		MFG ENG	QUAL ENG	SCALE	CAD FILE
				SHEET 1 OF 1	